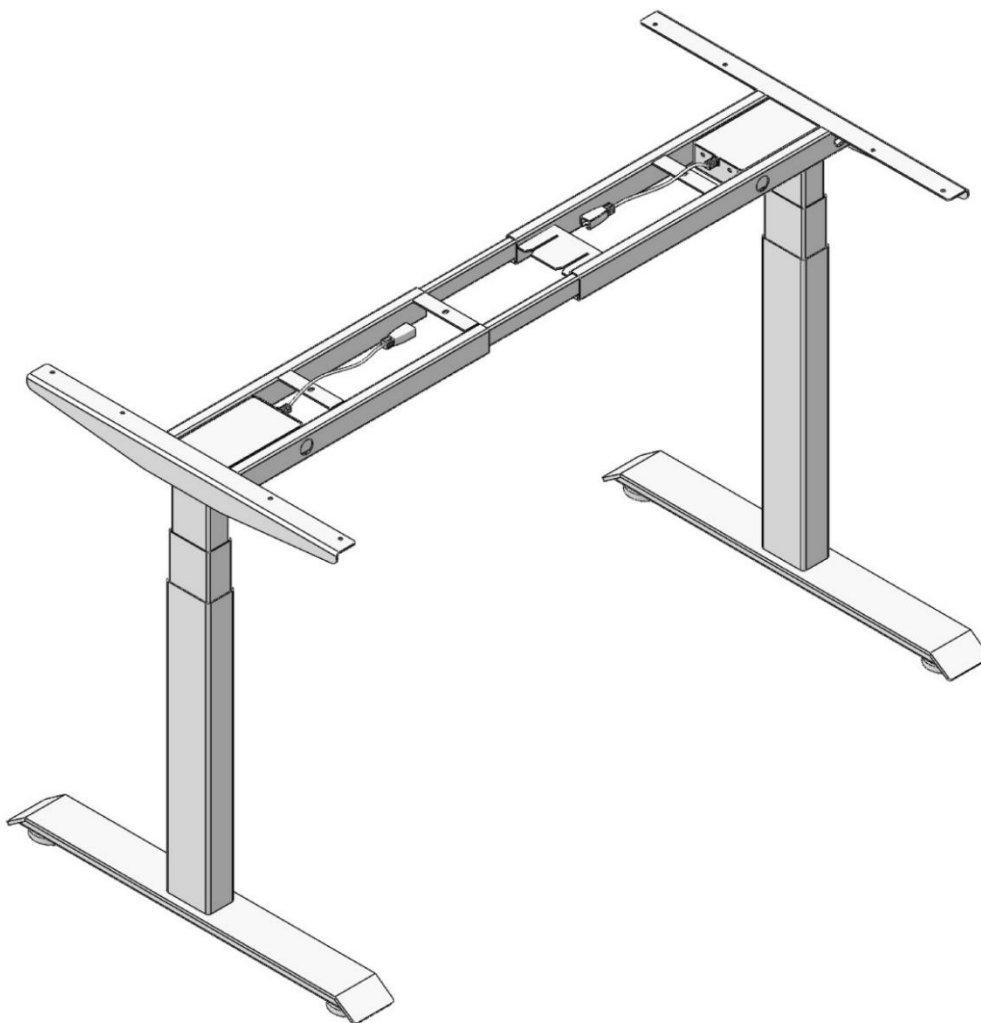


ErgoHide

Height Adjustable Desk Frame

Assembly Guide And Usage Manual



Part Listing ----- Page 01

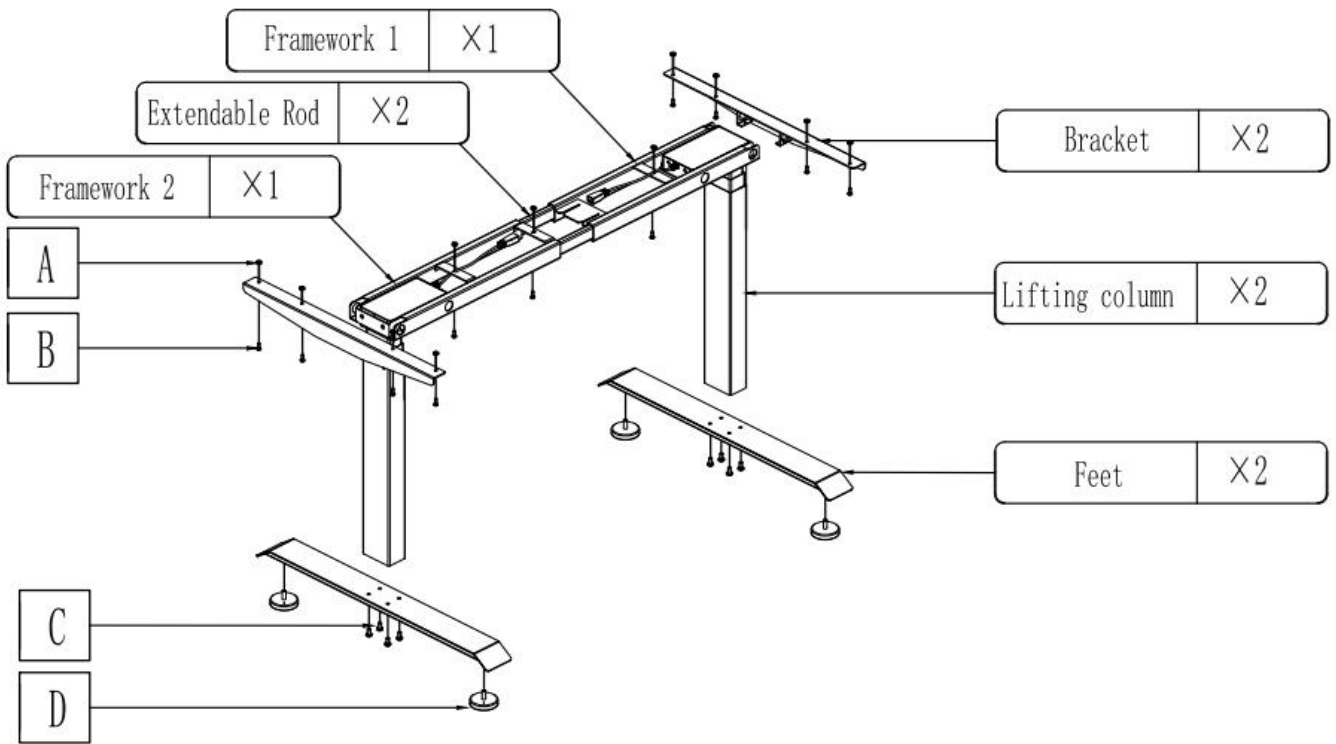
Assembly Instructions ----- Page 02 to 04








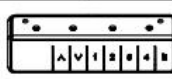



Usage Instructions ----- Page 05 to 10

Technical Specifications

Input:	100~240VAC
Output Power:	24VDC
Load Capacity:	140KG
Max.Speed:	30MM/S
Stroke:	650MM
Min.Install Dimension:	600MM
Operation Temperature:	5-40°C
Duty Cycle:	2 min.on and 18 min.off

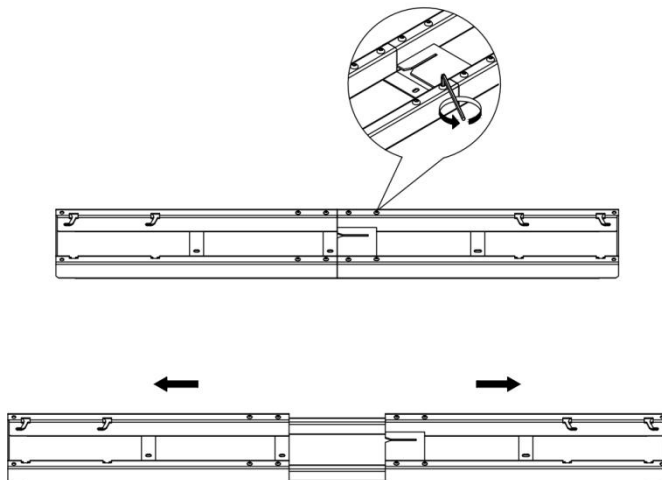
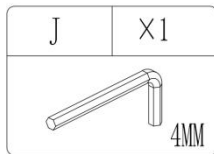
Part Listing



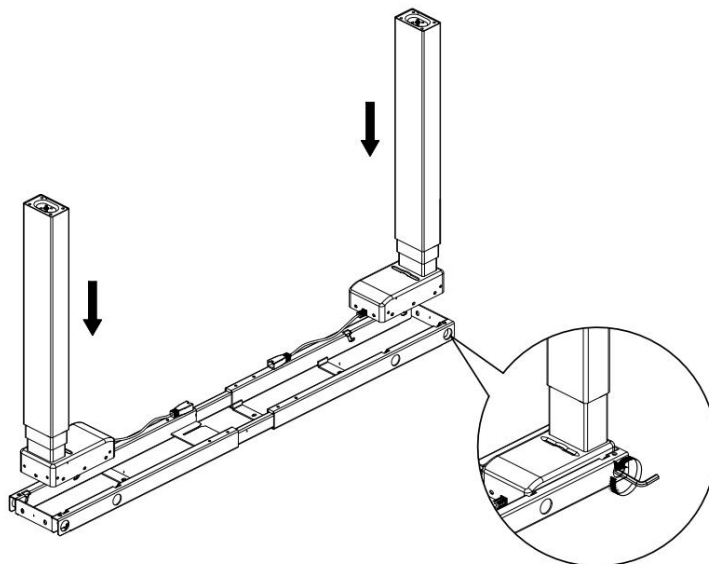
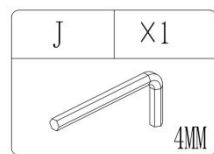
A	X11	B	X14	C	X12	D	X4	E	X1	F	X2
 Rubber pad		 ST5*16		 M6*16							
G	X1	H	X1	I	X3	J	X1	K	X2		
						 4MM		 ST4*20			

Assembly Instructions

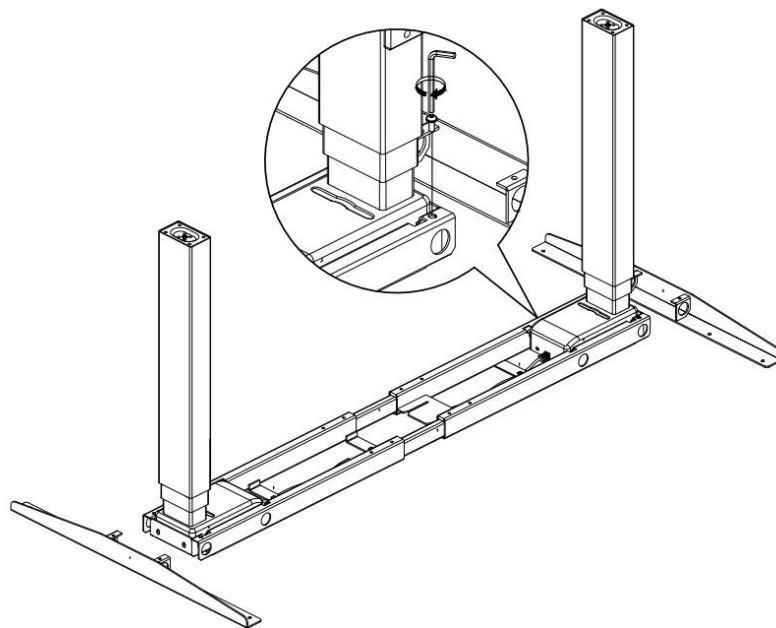
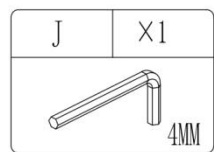
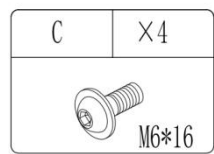
1STEP




2STEP





3STEP

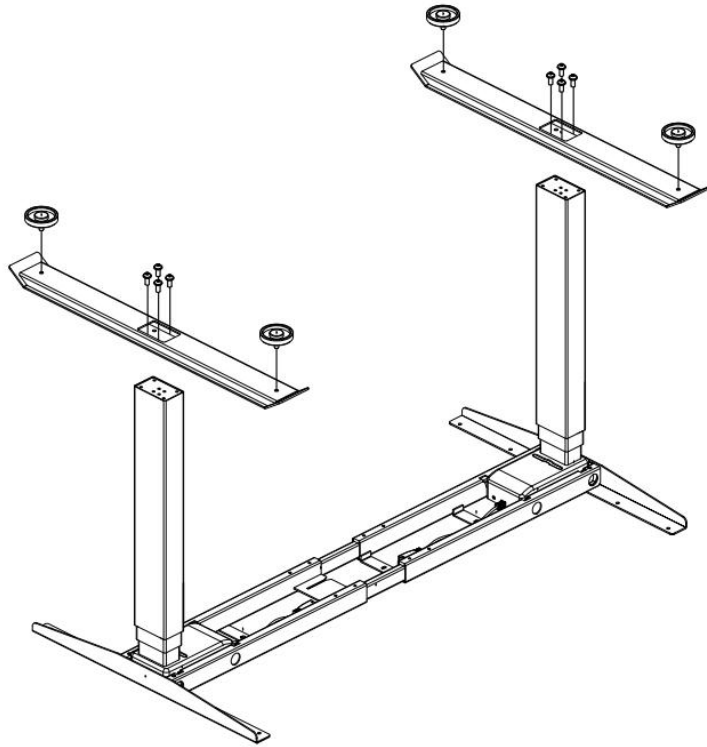


4STEP

C	×8
 M6*16	

D	×4
	


J	×1
 4MM	

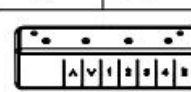


5STEP

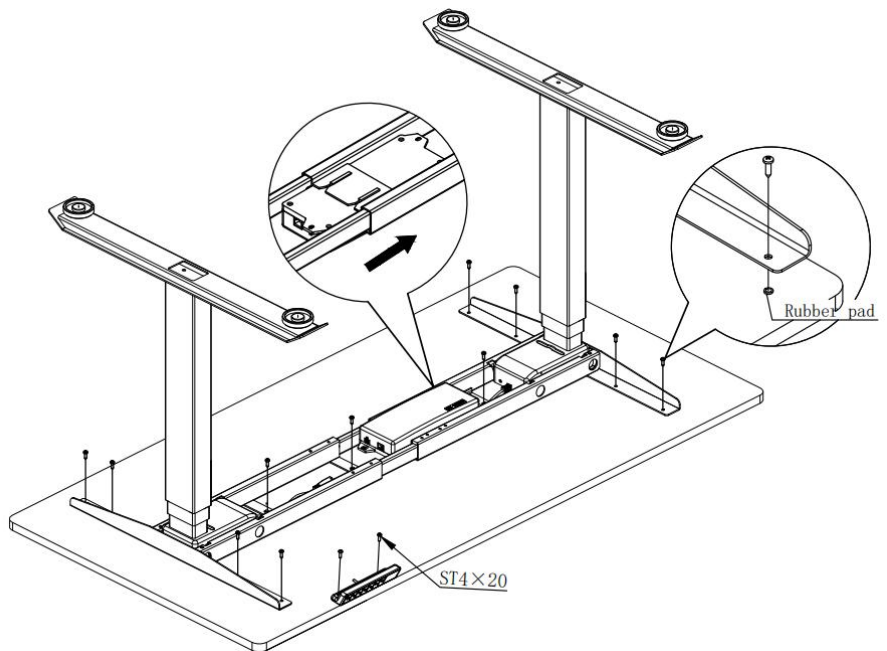
A	×11
 Rubber pad	

B	×11
 ST5*16	


G	×1
	


H	×1
	


K	×2
 ST4*20	




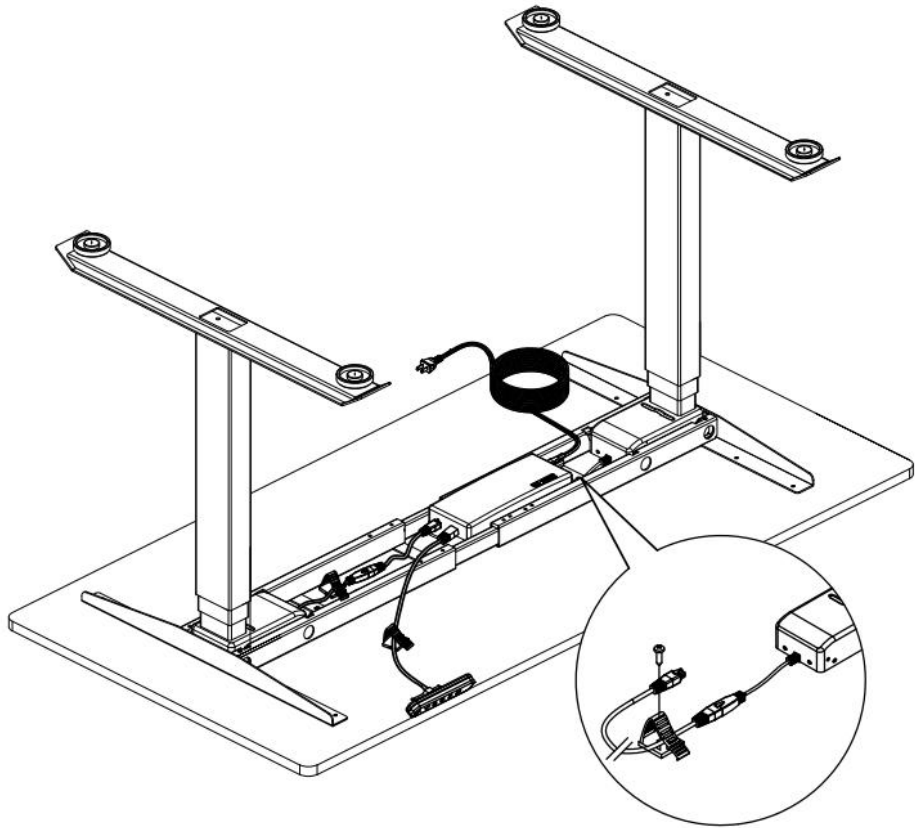
6STEP

B	X3
 ST5*16	

E	X1
	

F	X2
	

J	X3
	

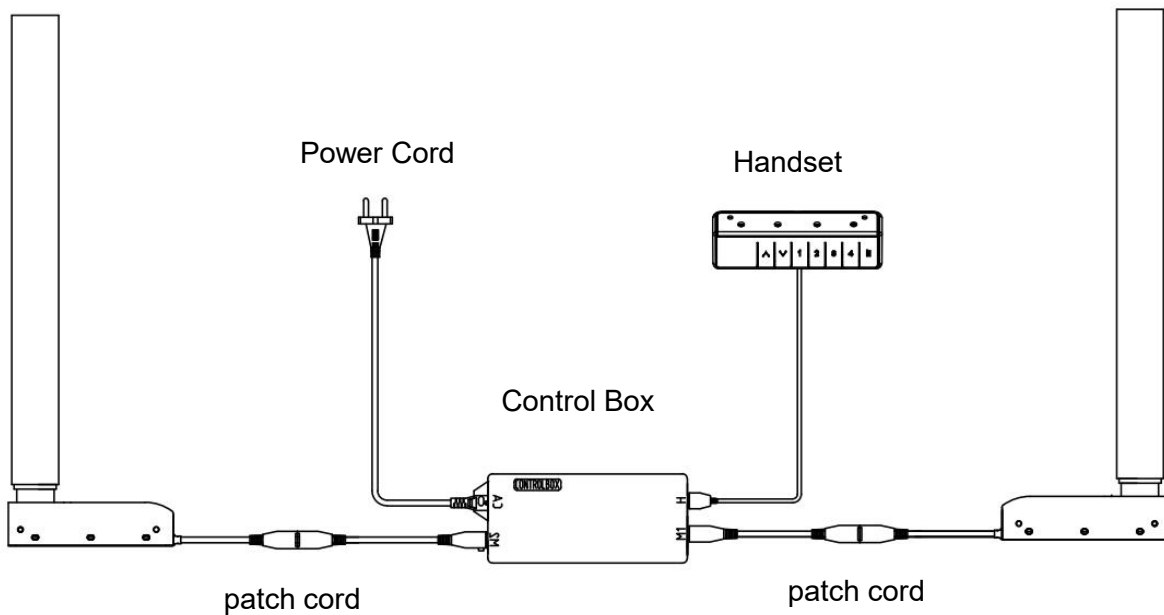


Usage Instructions

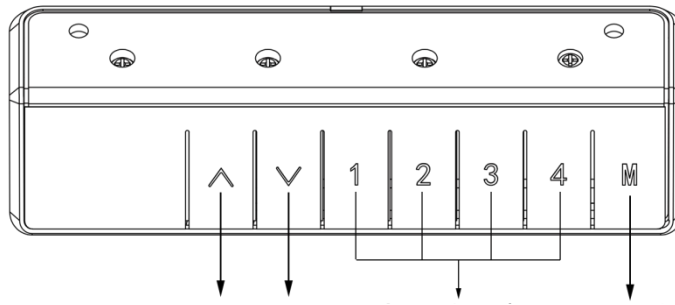
Connection diagram:

Lifting Column

Lifting Column

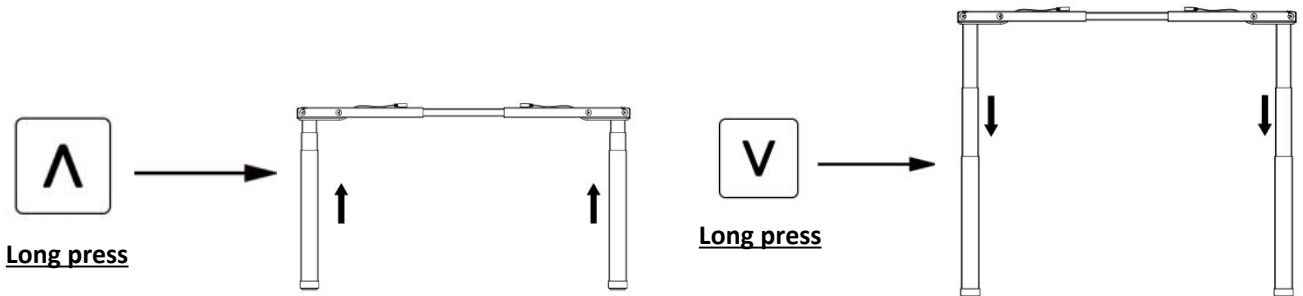


1. Handset Usage Guide

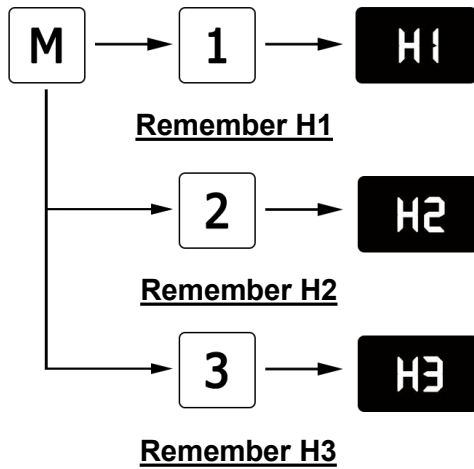


1.1. Key Function:

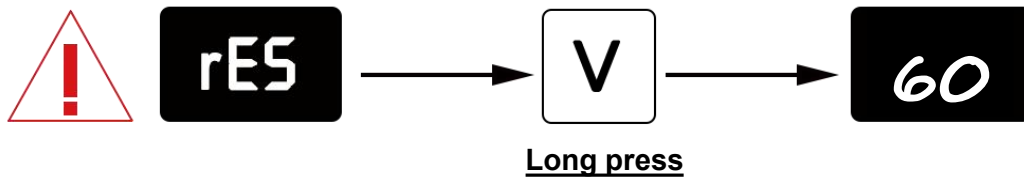
UP key DOWN key Memory storage key Memory set key



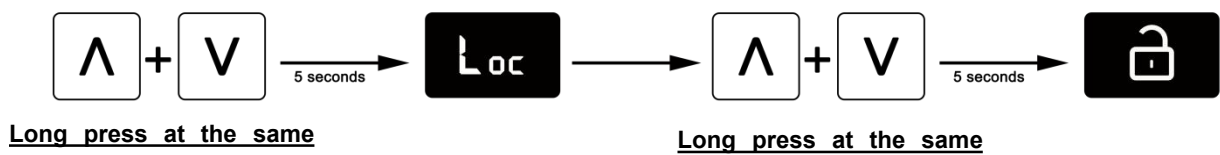
1.2. How to save height to memory:



1.3. RESET



1.4. CHILD LOCK



Handset Error Codes and Solutions

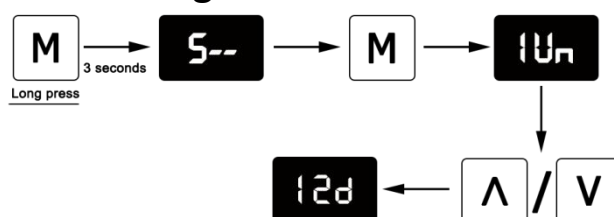
NO.	Error Codes	Troubleshooting
1	Hot	1.1 Wait for 18 minutes. 1.2 Plug out power cable (until handset display turns off) then plug the power again. The error code will auto disappear.
2	RES	Operate “Reset” operation.
3	E01 /E02	3.1 Please check the cables and make sure they’re connected. 3.2 Wait for 3 seconds and the error code should disappear. If the error code is still visible please contact us. 3.3 Remove heavy items, the code should disappear automatically.
4	E06	Operate “Reset” operation.
5	E07	Please remove weights to make sure extra weight is not over 120kg.
6	E08	Input voltage is not in operating range.
7	E09	Input voltage is not in operating range.
8	E10	Insert handset after control box already have power. Wait for 1 second and the error code will disappear.

Handset operation instructions

1.Then meaning of each key function

- 1.1 HEIGHT 1-----return key (return to the previous menu) If you want to set several functions at the same time, you can directly return to continue setting through 1 key without exiting the background
- 1.2 UP key -----Last page (switch to the previous interface of the current menu page)
- 1.3 DOWN key -----Next page (switch to the next interface of the current menu page)
- 1.4 M -----Confirmation key (confirm to enter the next menu of the current interface or confirm to select the current parameter item)

2.How to enter the background of manual controller



Code	Function	Sub function	Setting method
1Un	Display units	SI (Initial)	Press "M" button to enter the first function programming setting. It will display SI , then press "M" button to confirm. Wait for 2 seconds and it will display the current height (cm).
		IN	After it displays SI , press UP or DOWN and it will display IN . Press button "M" to confirm and wait for 2 seconds. It will display the current height (Inch).
2br	Handset display brightness	M (initial)	Press "M" button to enter, it will display M . Press "M" button to confirm. Wait for 2 seconds and it will display the current height. Medium brightness setting is completed.
		L	After it displays M press UP or DOWN and it will display L . Press "M" button to confirm and wait for 2 second and it will display the current height. The low brightness setting is completed.
		H	After it displays M press UP or DOWN and it will display H . Press "M" button to confirm, wait for 2 seconds and it will display the current height. The high brightness setting is completed.
3bE	Setting voice	OFF (Initial)	Press "M" button to enter and it will display OFF . Press "M" button to confirm. Wait for 2 seconds and it will display the current height. The no voice setting is completed.
		ON	After it displays OFF press UP or DOWN and it will display ON . Press "M" button to confirm. Wait for 2 seconds and it will display the current height. The bee voice setting is completed
4Fu	Go up anti-collision sensitivity	L0~L9	Press "M" button to enter, it will display L5 (Initial). Press UP or Down to select the your favorite level. Press "M" button to confirm, wait for 2 seconds, and it will display the current height. The collision sensitivity setting is completed. "L1" is the most sensitive setting, "L9" is the least sensitive setting. "L0" will turn off this function, "L5" is about 15kg.

5Fd	Go down anti-collision sensitivity	L0~L9	<p>Press "M" button to enter and it will display L5 (Initial). Press UP or Down to select your favorite level. Press "M" button to confirm, wait for 2 seconds and it will display the current height. The collision sensitivity setting is completed.</p> <p>("L1" is the most sensitivity setting, "L9" is the least sensitivity setting."L0" is to turn off this function, "L5" is about 15kg)</p>
6FS	Balance sensitivity	L0~L9	<p>Press "M" button to enter and it will display L5 (Initial). Press UP or Down to select the your favorite level, then press "M" button to confirm, Wait for 2 seconds and it will display the current height. The balance sensitivity setting is completed.</p> <p>"L1" is the most sensitive setting, "L9" is the least sensitive setting. "L0" will turn off this function, "L5" is about 3 degrees.</p>
7SH	Setting the new lowest display range and height range	$H_1 b$ $10 \leq H_1 b \leq 100$	<p>Press "M" button to enter and it will display $H_1 b$. Press "M" button to enter and it will display current lowest height. Press UP or DOWN to set the lowest height of your working surface. Press "M" to confirm and it will display the current height. The setting is completed.</p>
		$L_1 L$ $H_1 b \leq L_1 L$ $\leq L_1 H - 100$	<p>Press UP or DOWN and it will display $L_1 L$. Press "M" button to enter and it will display current lowest Height. Press UP to set new lowest height position. Press "M" to confirm and it will display the current height. The setting is completed.</p> <p>$L_1 L$: Set a new minimum desk height. The $L_1 L$ height should be greater than $H_1 b$ height.</p>
		$L_1 H$ $L_1 L + 100 \leq$ $L_1 H \leq H_1 b$ +stroke	<p>Press UP or DOWN and it will display $L_1 H$. Press "M" button to enter and it will display current highest Height. Press DOWN to set a new highest height position. Press "M" to confirm and it will display the current height. The setting is completed.</p> <p>$L_1 H$: Set a new maximum desk height. The height $L_1 H$ should be more than 100 mm higher than $L_1 L$ height.</p>
8Hc	Setting Constant-touch & One-touch for go Up or Down	$\square\square I$ (Initial)	<p>Press "M" button to enter and it will display the current mode $\square\square I$. Press "M" to confirm and it will display the current height. The setting is completed</p> <p>$\square\square I$: Keep pressing UP or DOWN button to make the desk moving up or down.</p>

		002	<p>Press UP or DOWN and it will display 002. Press "M" to confirm and it will display the current height. The setting is completed.</p> <p>002: Press UP or DOWN button and release. The desk will be moving up or down automatically. Pressing any button will stop the desk when it moving.</p>
9St	Reminder setting	0.0H(Initial)	<p>Press "M" to enter and it will display "0.0H", which means no time reminder. Press UP or DOWN to select the time reminder you need (for example 1.5H means 1.5 hours). Press "M" to confirm and it will display the current height. The setting is completed.</p> <p>Note: When handset time reminder beeps you can press any button to silence it. Otherwise the time reminder will last 30 seconds.</p> <p>The adjustable range is 0.0H-9.5H.</p>
10H	Setting bounce height		<p>Press "M" button to enter and it will show current bounce height (005). Press UP or DOWN to fine tune the bounce height. The adjustable range is 5-20mm. Press "M" to confirm and wait 2 seconds.</p>
11r	Restore Factory Defaults	FrE	<p>Press "M" to enter and it will display FrE and flash. Press "M" to confirm and wait for 2 seconds. It will display "RES", which means that a reset is required.</p>
12d	Fatigue test mode	PR_	<p>Please ignore this program for fatigue test before shipment.</p>

Notice

1. This product must be used under the correct technical parameters.
2. Keep away from liquids, corrosive gases, dusty environment.
3. Contact us if necessary.